

PBX115XA-PH Process Gauge

"DESIGNED TO LAST"

MEETAPPARATENFABRIEK BV

- **SOLID FRONT**
- **DURABLE**
- **SAFE**
- **RELIABLE**
- **ACCURATE**
- **RUGGED**

Application

For fluid and gaseous, aggressive media which are not highly viscous and do not tend to polymerize; especially for chemical and oil-processing industries acc. to US-standards.

Specification

Case

Size: 4½"

Thermoplastic PBTP black with integral rear flange
Fire retardant and impact resistant acc. UL 94 VO

Protection

IP-65 (EN 60529 / IEC 529) (filled)

IP-45 (EN 60529 / IEC 529) (dry)

Connection

1/2" NPT bottom

Stainless steel AISI-316Ti (1.4571)

Measuring element

Bourdon tube, Stainless steel AISI-316Ti (1.4571)

Movement

Stainless steel

Range

0-0.6-1000bar (EN)

0-10-15000psi (ASME)

All vacuum and compound ranges

Accuracy

Grade 2A acc. to ASME B40.1 ($\pm 0.5\%$ full span)

Blow-out protection

Rear-mounted, PBTP, hinged for safety

Dial

White face with black printing

Aluminium alloy

Pointer

Aluminium alloy, black, micrometer adjustable

Window

Laminated safety glass (thickness: 4mm / .16")

Compensation diaphragm

Elastomer

Temperature range

Ambient: -40°C... +60°C (dry or Special oil filling)

-20°C... +60°C (Glycerine filling)

Medium: +100°C maximum



Safety Features

Solid front between measuring system and dial with full blow-out safety back. In case Bourdontube failure the entire case back separates, allowing full relief.

Optional

- ¼" NPT
- Wetted parts monel or 316L acc. to NACE
- Inlet port restrictor screw
- Special scales, combination pressures
- Oxygen service, free of grease and oil
- Other than vertical installation
- Top or side connection

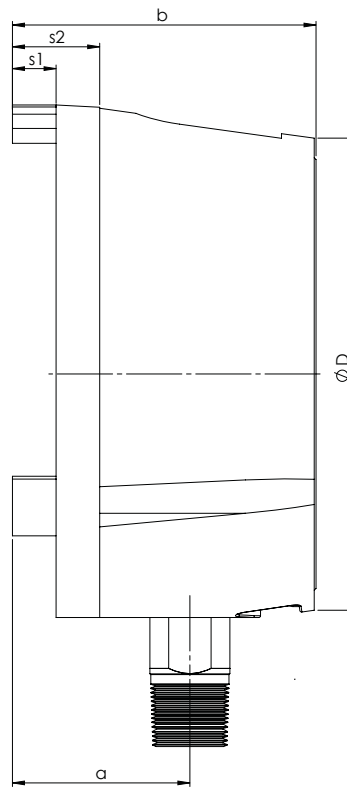
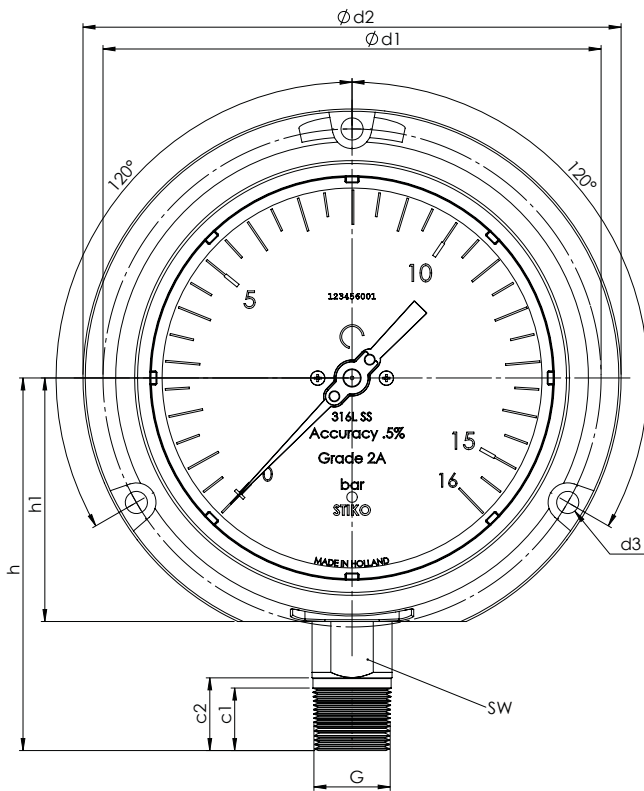
A pleasure to measure!

PBX115XA-PH Process Gauge

"DESIGNED TO LAST"



MEETAPPARATENFABRIEK BV



Dim.	Type	a	b	c1	c2	c3	c4	D	d1	d2	d3	G	h	h1	s1	s2	SW	Weight
Metric [mm]	NPT	37.5	80	16	19	---	---	129	137	148	6.1	1/2"	102	67	12.5	17	22	1.25kg
US [inch]		1.48	3.15	.63	.75	---	---	5.08	5.39	5.83	.24		4.02	2.64	.49	.67	.87	2.76lb

Note: 3D versions are available upon request.

*A pleasure
to measure!*

Stiko Meetapparatenfabriek B.V.
Industrieweg 5
9301 LM - Roden
The Netherlands
Phone: +31-(0)50-5013813
Email: sales@stiko.nl
Internet: www.stiko.nl