

DIFFERENTIAL PRESSURE GAUGE TYPE POD

TYPE POD, double diaphragm system overload safe upto 100 (250) bar

STANDARD MODEL

Features : double diaphragm system (DP cell)
 static pressure max. 100 bar
 two measuring chambers
both sides over pressure safe upto 100 bar (static pressure)

corrosion resistance
 connections at 54 mm pitch

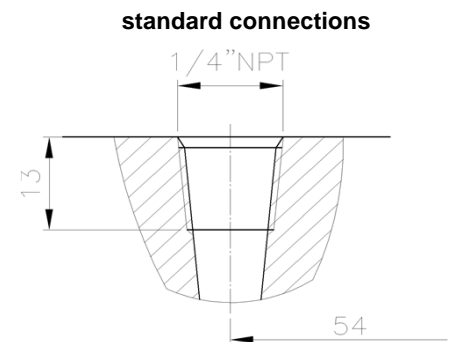
Wetted parts : diaphragms duratherm
 AISI316L/1.4404; Viton

Applications : flow measurement
 petrol chemical industry
 filter applications
 general industry
 shipping industry
 off-shore



Example: POD100XK

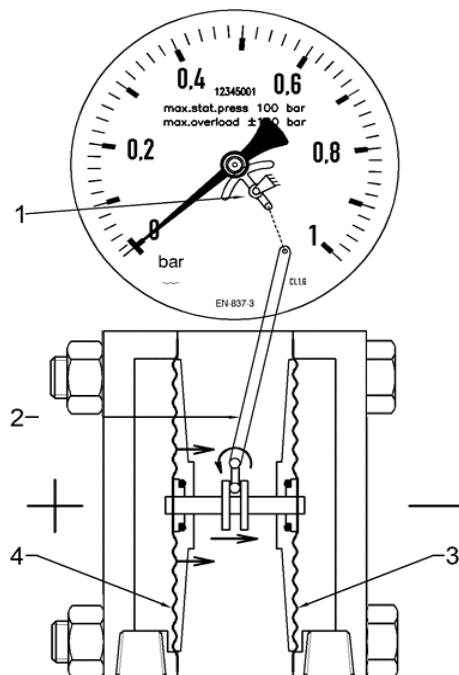
Type	max. static pressure	Range
POD100xx-low	max. 100 bar	0 - 100 mbar upto
POD160xx-low		0 - 600 mbar
POD100xx	max. 100 bar	0 - 1 bar upto
POD160xx		0 - 25 bar



Options : other connections (adapters)
 swivel adapters
 manifolds
 chemical seals
 electrical contacts
 special dials
 static pressure max. 250 bar

operating principle

- 1 pointer mechanism
- 2 connecting rod
- 3 - sensing diaphragm
- 4 + sensing diaphragm

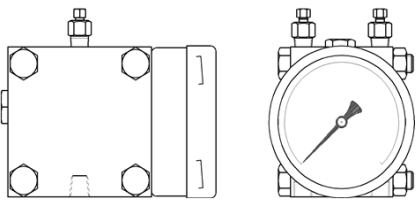
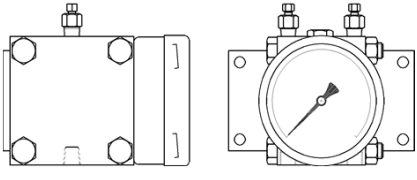
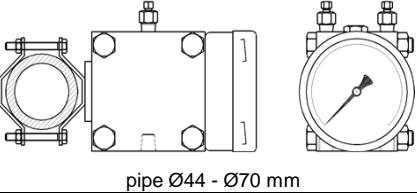


STAINLESS STEEL DIFFERENTIAL PRESSURE GAUGE, TYPE POD

**TYPE POD, with double diaphragm system, max. st. press. 100 bar
max. overload 100 bar on both sides**

STANDARD MODEL

CASE	: bayonet lock, AISI304/1.4301, IP-65	MOVEMENT	: AISI304/1.4301
WETTED PARTS	: diaphragms duratherm other AISI316L/1.4404/1.4435	ACCURACY	: ± 1.6% F.S./class 1.6
WINDOW	: safety glass	STATIC PRESS.	: max. 100 bar
DIAL	: aluminium, black figures on white	OVERLOAD	: both sides upto 100 bar *
POINTER	: aluminium, black	APPLICATION	: general and heavy industry
CONNECTION	: 2 x ¼"NPT female, AISI316L/1.4404 at pitch 54 mm	OPTIONS	: see page 57-58 electrical contacts see page 59-64 (excluding Q type contacts)

TYPE	MODEL	CASE DIAMETER (Ø in mm)			
		100 100 upto 600 mbar	100 1 upto 25 bar	160 100 upto 600 mbar	160 1 upto 25 bar
K		POD100XK-low	POD100XK	POD160XK-low	POD160XK
L		POD100XL-low	POD100XL	POD160XL-low	POD160XL
Y 2" Yoke vert. or hor.	 pipe Ø44 - Ø70 mm	POD100XY-low	POD100XY	POD160XY-low	POD160XY
OPTION		EXTRA COSTS			
Lx	ONDINA OIL FILLED CASE	POD100Lx-low	POD100Lx	POD160Lx-low	POD160Lx
* STATIC PRESSURE 250 BAR	STATIC PRESSURE UPTO 250 BAR both sides overload save upto 250 bar	x	O.D.	x	O.D.
CONNECTION	2x ½"BSP or ½"NPT male				
"Hz" CONTACT DEVICE	EXCLUDING "Hz" CONTACT (see page 59-62)	O.D.		O.D.	

DIFFERENTIAL PRESSURE GAUGE TYPE POD

TYPE	DRAWING	DIMENSIONS mm																																		
K PODxxxXKlow PODxxxXK		<table border="1" style="width: 100%; border-collapse: collapse; text-align: center;"> <thead> <tr style="background-color: #008080; color: white;"> <th rowspan="2">DIM.</th> <th colspan="4">CASE DIAMETER</th> </tr> <tr style="background-color: #008080; color: white;"> <th>100</th> <th>160</th> <th>100 mm + contact</th> <th>160 mm + contact</th> </tr> </thead> <tbody> <tr> <td>A</td> <td>101.5</td> <td>162</td> <td>101.5</td> <td>162</td> </tr> <tr> <td>B</td> <td>150</td> <td>150</td> <td>202</td> <td>205</td> </tr> <tr> <td>C</td> <td>49,5</td> <td>49,5</td> <td>49,5</td> <td>49,5</td> </tr> <tr> <td>E</td> <td>49,5</td> <td>49,5</td> <td>49,5</td> <td>49,5</td> </tr> <tr> <td>T*</td> <td>15</td> <td>15</td> <td>15</td> <td>15</td> </tr> </tbody> </table> <p style="text-align: center; font-size: small;">* standard connection 1/4"NPT female</p>	DIM.	CASE DIAMETER				100	160	100 mm + contact	160 mm + contact	A	101.5	162	101.5	162	B	150	150	202	205	C	49,5	49,5	49,5	49,5	E	49,5	49,5	49,5	49,5	T*	15	15	15	15
DIM.	CASE DIAMETER																																			
	100	160	100 mm + contact	160 mm + contact																																
A	101.5	162	101.5	162																																
B	150	150	202	205																																
C	49,5	49,5	49,5	49,5																																
E	49,5	49,5	49,5	49,5																																
T*	15	15	15	15																																
L PODxxxXLlow PODxxxXL		<table border="1" style="width: 100%; border-collapse: collapse; text-align: center;"> <thead> <tr style="background-color: #008080; color: white;"> <th rowspan="2">DIM.</th> <th colspan="4">CASE DIAMETER</th> </tr> <tr style="background-color: #008080; color: white;"> <th>100</th> <th>160</th> <th>100 mm + contact</th> <th>160 mm + contact</th> </tr> </thead> <tbody> <tr> <td>A</td> <td>101.5</td> <td>162</td> <td>101.5</td> <td>162</td> </tr> <tr> <td>B</td> <td>150</td> <td>150</td> <td>202</td> <td>205</td> </tr> <tr> <td>C</td> <td>54,5</td> <td>54,5</td> <td>54,5</td> <td>54,5</td> </tr> <tr> <td>E</td> <td>49,5</td> <td>49,5</td> <td>49,5</td> <td>49,5</td> </tr> <tr> <td>T*</td> <td>15</td> <td>15</td> <td>15</td> <td>15</td> </tr> </tbody> </table> <p style="text-align: center; font-size: small;">* standard connection 1/4"NPT female</p>	DIM.	CASE DIAMETER				100	160	100 mm + contact	160 mm + contact	A	101.5	162	101.5	162	B	150	150	202	205	C	54,5	54,5	54,5	54,5	E	49,5	49,5	49,5	49,5	T*	15	15	15	15
DIM.	CASE DIAMETER																																			
	100	160	100 mm + contact	160 mm + contact																																
A	101.5	162	101.5	162																																
B	150	150	202	205																																
C	54,5	54,5	54,5	54,5																																
E	49,5	49,5	49,5	49,5																																
T*	15	15	15	15																																
Y PODxxxXYlow PODxxxXY pipe size: Ø44 - Ø70 mm	<p style="text-align: center; font-size: small;">bracket for horizontal or vertical pipe mounting</p>	<table border="1" style="width: 100%; border-collapse: collapse; text-align: center;"> <thead> <tr style="background-color: #008080; color: white;"> <th rowspan="2">DIM.</th> <th colspan="4">CASE DIAMETER</th> </tr> <tr style="background-color: #008080; color: white;"> <th>100</th> <th>160</th> <th>100 mm + contact</th> <th>160 mm + contact</th> </tr> </thead> <tbody> <tr> <td>A</td> <td>101.5</td> <td>162</td> <td>101.5</td> <td>162</td> </tr> <tr> <td>B</td> <td>189**</td> <td>189**</td> <td>241**</td> <td>244**</td> </tr> <tr> <td>C</td> <td>88,5**</td> <td>88,5**</td> <td>88,5**</td> <td>88,5**</td> </tr> <tr> <td>E</td> <td>64,5</td> <td>64,5</td> <td>64,5</td> <td>64,5</td> </tr> <tr> <td>T*</td> <td>15</td> <td>15</td> <td>15</td> <td>15</td> </tr> </tbody> </table> <p style="text-align: center; font-size: small;">* standard connection 1/4"NPT female ** dimensions for 2" pipe size</p>	DIM.	CASE DIAMETER				100	160	100 mm + contact	160 mm + contact	A	101.5	162	101.5	162	B	189**	189**	241**	244**	C	88,5**	88,5**	88,5**	88,5**	E	64,5	64,5	64,5	64,5	T*	15	15	15	15
DIM.	CASE DIAMETER																																			
	100	160	100 mm + contact	160 mm + contact																																
A	101.5	162	101.5	162																																
B	189**	189**	241**	244**																																
C	88,5**	88,5**	88,5**	88,5**																																
E	64,5	64,5	64,5	64,5																																
T*	15	15	15	15																																